

51106 Thrust ball bearings, single direction

- Popular item

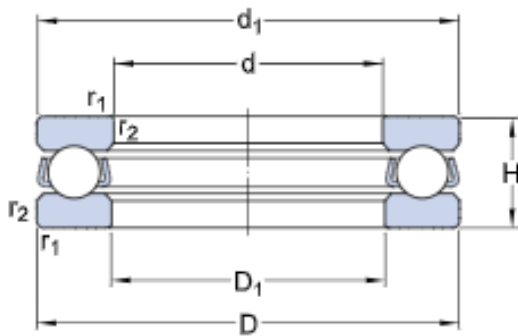
Thrust ball bearings, single direction



Bearing data
[Tolerances,](#)
 table 1

Bearing interfaces
[Seat tolerances for standard conditions,](#)
[Tolerances and resultant fit](#)

Technical specification

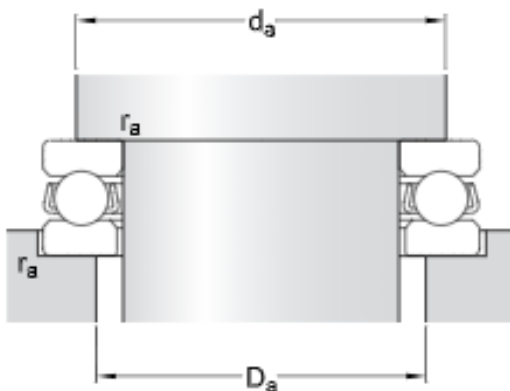


DIMENSIONS

d	30 mm	Bore diameter
D	47 mm	Outside diameter
H	11 mm	Height
d_1	≈ 47 mm	Outside diameter shaft washer
D_1	≈ 32 mm	Inner diameter housing washer
$r_{1,2}$	min. 0.6 mm	Chamfer dimension washer

ABUTMENT DIMENSIONS

d_a	min. 40 mm	Abutment diameter shaft
D_c	max. 37 mm	Abutment diameter housing
r_a	max. 0.6 mm	Fillet radius



CALCULATION DATA

C	19 kN	Basic dynamic load rating
C ₀	43 kN	Basic static load rating
P _u	1.6 kN	Fatigue load limit
	6 000 r/min	Reference speed
	8 500 r/min	Limiting speed
A	0.01	Minimum load factor

MASS

0.063 kg	Mass bearing (including seat washer where applicable)
----------	---

More information

<p>Product details</p> <ul style="list-style-type: none"> Designs and variants Bearing data Loads Temperature limits Permissible speed Mounting Designation system 	<p>Engineering information</p> <ul style="list-style-type: none"> Principles of rolling bearing selection General bearing knowledge Bearing selection process Bearing interfaces Seat tolerances for standard conditions Lubrication External sealing, mounting and dismounting Bearing failure and how to prevent it 	<p>Tools</p> <ul style="list-style-type: none"> Bearing Select Engineering Calculator SimPro Quick LubeSelect for SKF greases Heater selection tool
---	---	--